

2-080.01 Swinghandle SOFTLINE RS PrB



Advantages

- Swinghandle SOFTLINE for 1-, 2- or 3-point locking systems.
- The Swinghandle can be locked with 40mm long Profile-Cylinders (DIN 18252), cylinder or insert. Cylinder cam on 45° or 90°.
- Available with two different sliding dustcovers, enabling the locking of Profile-Cylinders having a protruding key-barrel part.
- RH / LH application.
- IP65 according to DIN 60529 - version dish with cap.
- For non IP65 applications - version dish with Hook.
- Grounding by grounding clip 208-1206.93

Materials

- Swinghandle, Dish, Sliding cover:** PA, black
- Grounding clip:** stainless steel AISI 301

Remarks

Inserts must be ordered separately. Locking stub is included in handle-assembly.



Swinghandle for profile-cylinder

	Part Number	Version	Dish	Installation type
a)	407-9055.00-00000	for up to 2.5mm protruding key-barrel part	with cap (IP65)	screw-on
a1)	407-9056.00-00000	for up to 5mm protruding key-barrel part	with cap (IP65)	screw-on
b)	407-9045.00-00000	for up to 2.5mm protruding key-barrel part	with hook (not IP65)	screw-on
b1)	407-9046.00-00000	for up to 5mm protruding key-barrel part	with hook (not IP65)	screw-on

Swinghandle with cylinder

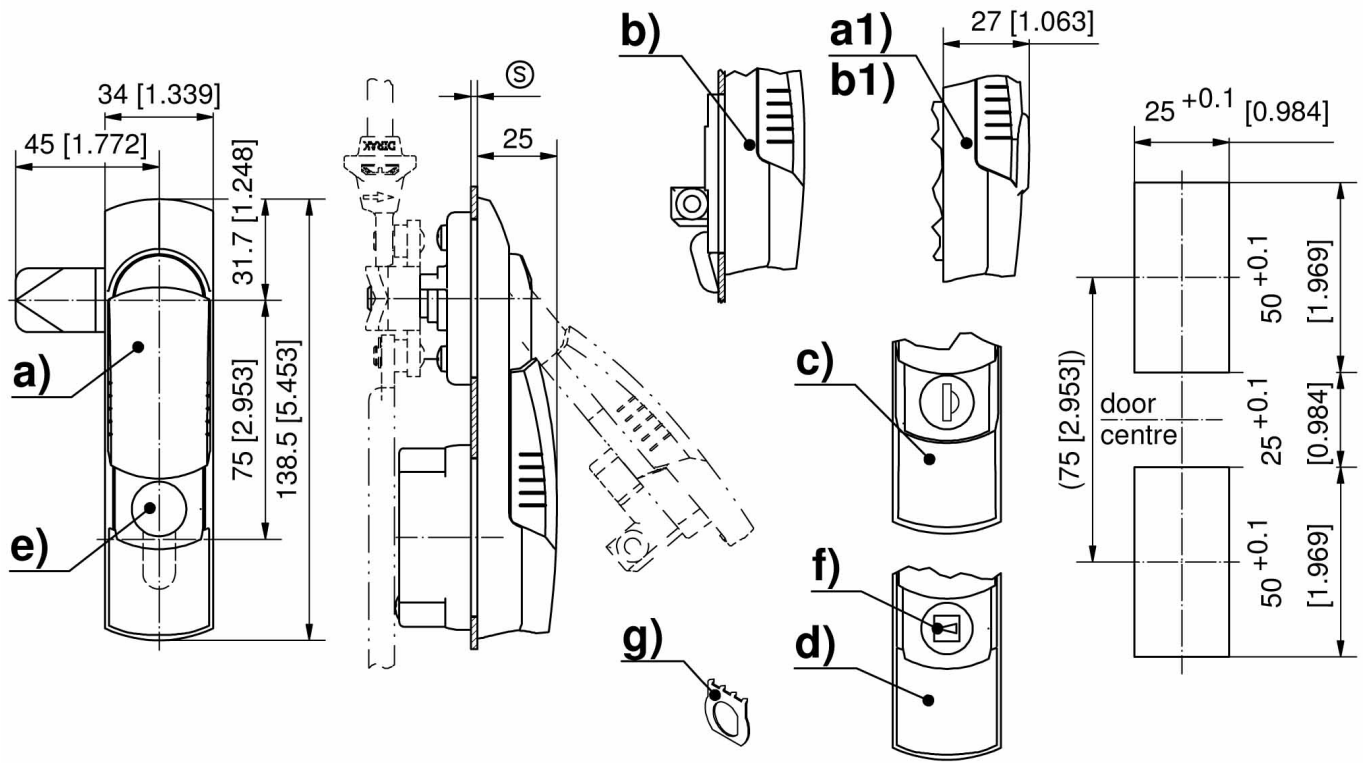
	Part Number	Latching type	Dish	Installation type
c)	407-9053.00-00000	keyed alike DIRAK 1333	with cap (IP65)	screw-on
c)	507-9268.00-00000	keyed alike DS200	with cap (IP65)	screw-on
c)	407-9054.00-00000	keyed different	with cap (IP65)	screw-on
c)	407-9043.00-00000	keyed alike DIRAK 1333	with hook (not IP65)	screw-on
c)	507-9265.00-00000	keyed alike DS200	with hook (not IP65)	screw-on
c)	407-9044.00-00000	keyed different	with hook (not IP65)	screw-on

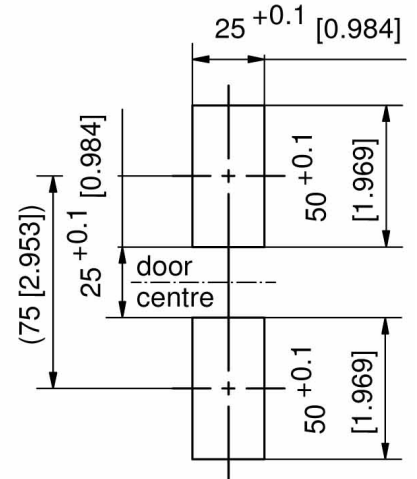
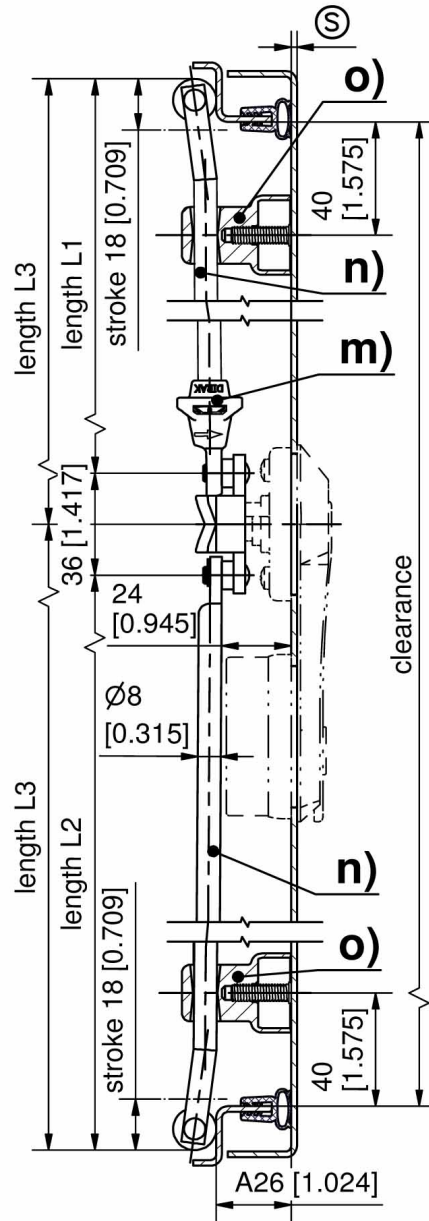
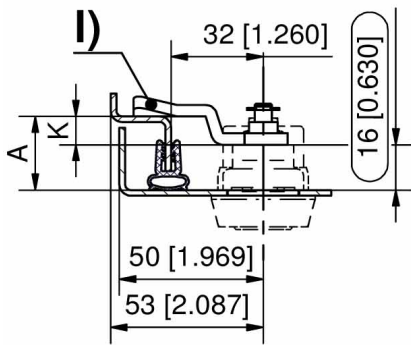
Swinghandle for insert

	Part Number	Dish	Installation type
d)	407-9057.00-00000	with cap (IP65)	screw-on
d)	407-9047.00-00000	with hook (not IP65)	screw-on

* Complementary products

- e) 2-140 **Profile-Cylinder**
- f) 2-141 **Inserts**
- o) 1-190 **Rod Guides for 8mm Round Rods**
- m) 1-181.01 **Adapter for Round Rods**
- m) 1-181 **Adapter PA for Round Rods**
- n) 1-170 **Round Rod with Eye**
- n) 1-180 **Round Rods for Adapter**
- l) 1-102 **Cams L35/45 steel**
- l) 2-150 **3-Point Cam**
- l) 1-105 **Roller Cam height adjustable**
- g) 3-011 **Grounding clip**





Formula for rods with eye and rollers:
cutout in the door center (rod length varies)

$$L1 = \frac{\text{upper rod clearance} - 12\text{mm}[0.472]}{2 [0.079]} - 38 \text{ mm} [1.496] \quad L2 = \frac{\text{lower rod clearance} - 12\text{mm}[0.472]}{2 [0.079]} + 38 \text{ mm}[1.496]$$

cutout outside the door center (rod length equal)

$$L3 = \frac{\text{clearance} - 12\text{mm}[0.472]}{2[0.079]}$$