

2-126.02 Dual Cylinder Swinghandle RS 130, RC II



for cutout 130, for round rods, security tested

Advantages

- Dual Cylinder Swinghandle completely zinc die.
- Water- and dust-tight according to IP65 DIN EN 60529.
- Uses DIN 18252/18254 40mm and 45mm profile cylinders.
- The dual cylinder allows opening by either cylinder, without unlocking the other one.
- The profile-cylinders can have a length of 40mm or 45mm or be a mixture of both, but the cylinder cam must have a 45° feature.
- The handle can be locked without using a key.
- Complies with security test to DIN EN 1630 WKII/RC.
- Logo on handle on request.

Materials

- **Swinghandle and dish:** zinc die, ZL 0430, black
 - **Other surfaces on request!**
- a), b) and d)
- **3- and 2-point cam and round rods:** steel, zinc plated
- e)
- **Adapter:** zinc die, zinc plated
- f)
- **Rod guide:** PA, black
- g)
- **Square adapter:** PA, black
- g1)
- **Flat external seal:** sponge rubber, pure
- h)
- **Building key:** PS, black



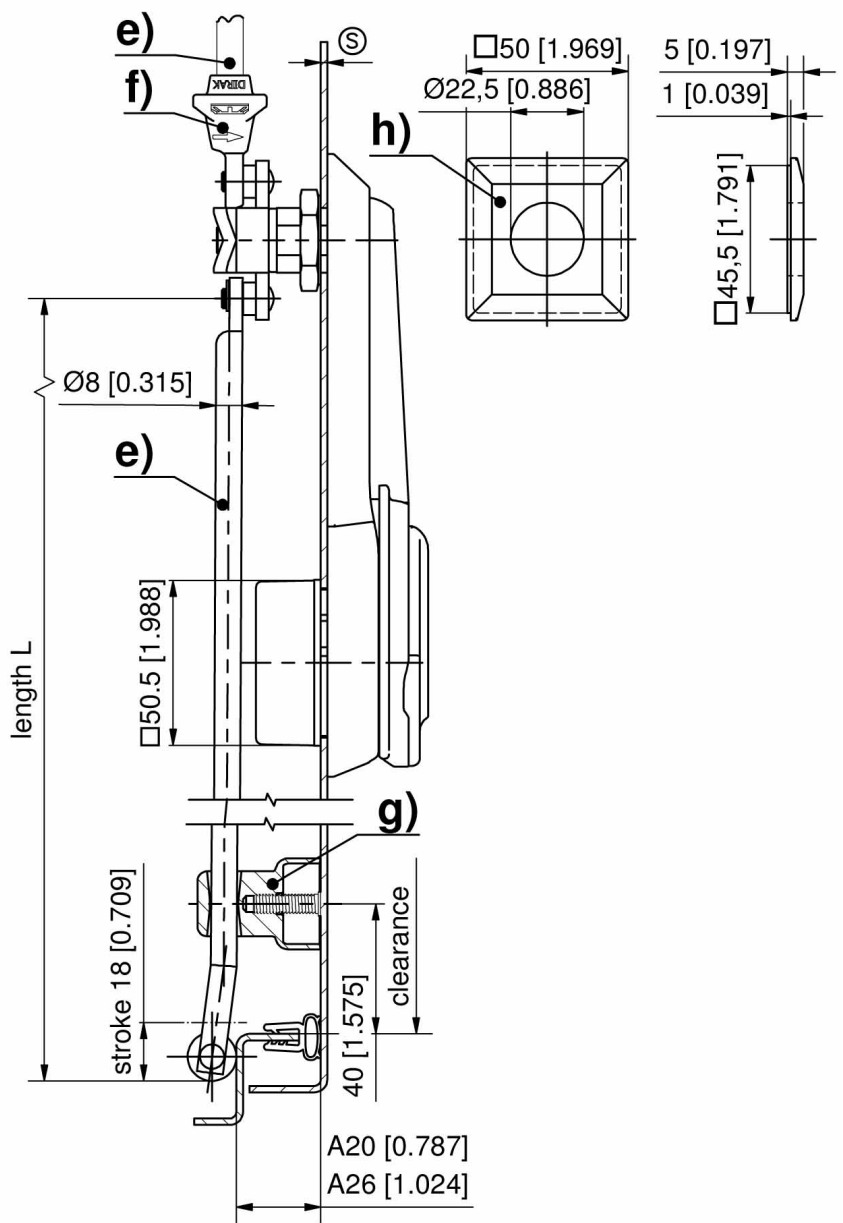
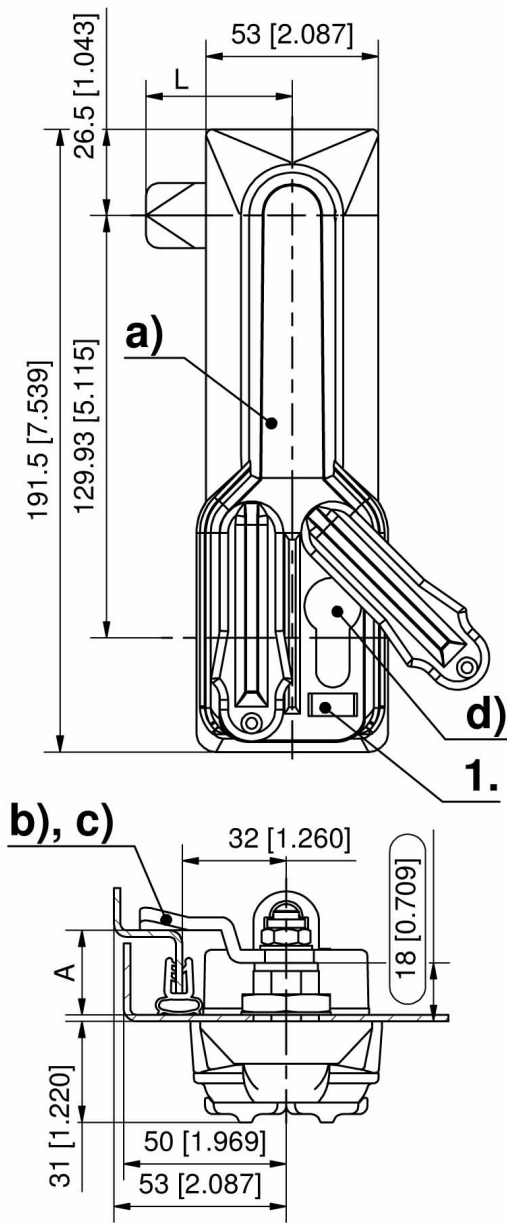
Dual Cylinder Swinghandle RS 130, RC II

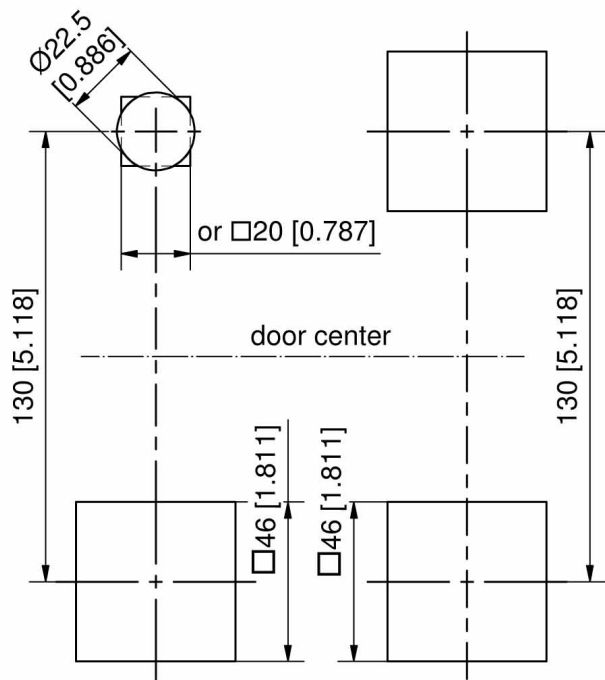
Part Number	Internal cover	Material cylinder cover	Sealable	Stroke	Installation type

a)	207-9414.00-00000	□46	zinc die	Yes	18,0 mm	screw-on
----	-------------------	-----	----------	-----	---------	----------

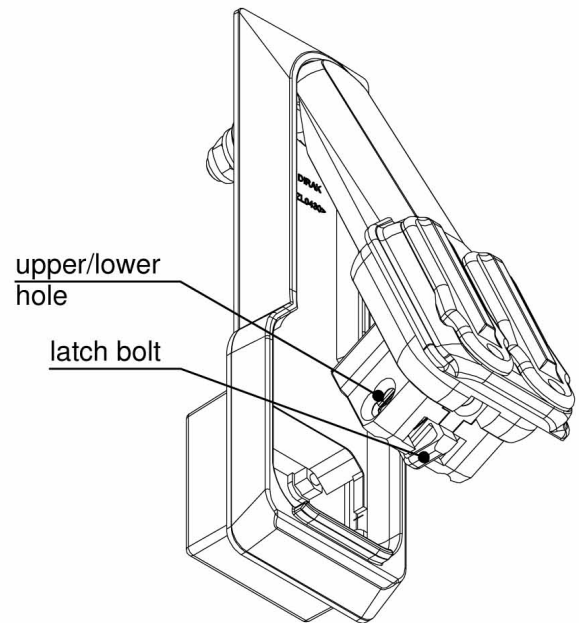
*** Complementary products**

- d) 2-140 **Profile-Cylinder**
- f) 1-181.01 **Adapter for Round Rods**
- f) 1-181 **Adapter PA for Round Rods**
- e) 1-170 **Round Rod with Eye**
- e) 1-180 **Round Rods for Adapter**
- g) 200-3623.51-00000 **Rod guide**
- g) 200-3625.51-00000 **Rod guide**
- 204-0301.00-00000 **PZ building key**
- b) 207-9522.00-00000 **3-point cam**
- b) 207-9528.00-00000 **3-point cam**
- c) 207-9599.00-00000 **2-point cam**
- h) 207-2702.03-00000 **Adapter for cutout 46mm square**





To use the same door both RH and LH, 2 holes $\square 46$, symmetrical to door center, are possible, see h) and h1).



upper hole for profile cylinder 40mm [1.575],
upper hole for profile cylinder 45mm [1.772].

Formula for rods with eye and rollers:
cutout in the door center (rod length varies)

$$\begin{array}{l} \text{upper rod} \\ L = \frac{\text{clearance} - 12\text{mm}[0.472]}{2 [0.079]} - 65 \text{ mm} [2.559] \end{array} \quad \begin{array}{l} \text{lower rod} \\ L = \frac{\text{clearance} - 12\text{mm}[0.472]}{2 [0.079]} + 65 \text{ mm} [2.559] \end{array}$$

cutout outside the door center (rod length equal)

$$L = \frac{\text{clearance} - 12\text{mm}[0.472]}{2[0.079]}$$