



4-200 Corner Hinge Pr04 180°



Advantages

- For surface mounted door.
- Hinge visible.
- Version a) lift-off.
- 180° Opening angle.

Materials

- **Hinge:** steel, zinc plated, brass, untreated
- **Bearing washer:** brass, nickel plated
- **Nut and washer:** steel, zinc plated
- **Pin:** steel, nickel plated

Remarks

Nuts and serrated washers are included

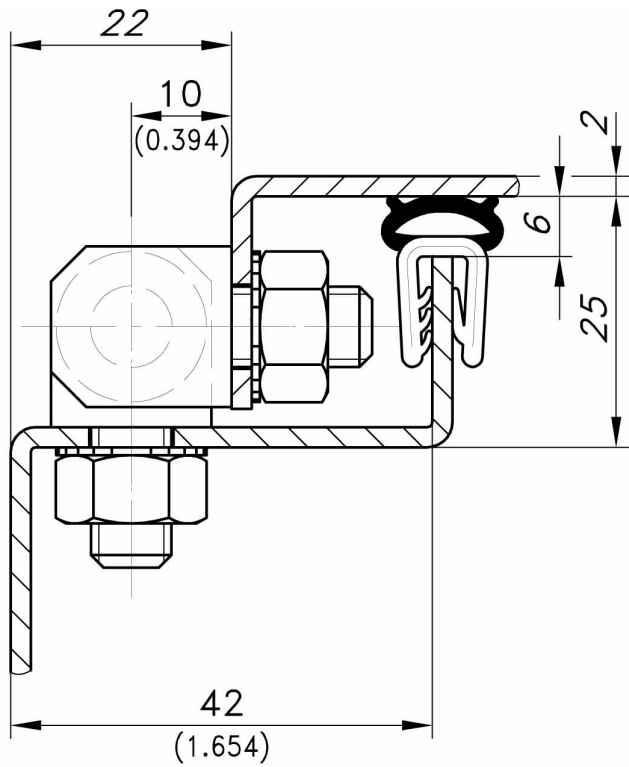


Corner Hinge, 2-parts

	Part Number	Version	Material pin	Installation type
a)	219-9111.00-00000	steel, zinc plated	steel, nickel plated	screw-on
a)	219-9112.00-00000	brass, untreated	steel, nickel plated	screw-on

Corner Hinge, 3-parts

	Part Number	Version	Material pin	Installation type
b)	219-9101.00-00000	steel, zinc plated	steel, nickel plated	screw-on
b)	219-9106.00-00000	brass, untreated	steel, nickel plated	screw-on



Examples of application

