



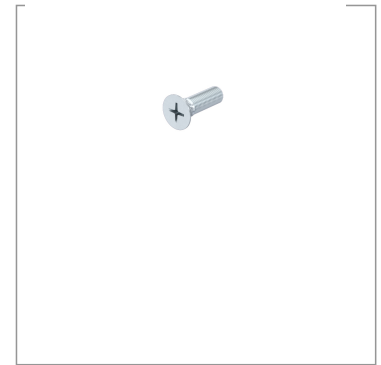
## 6-041 Countersunk Screws and Hexagon Nuts

### Advantages

- Countersunk machine screws according to DIN 965.
- Hex. nut according to DIN 934 and DIN 985.

### Materials

**Countersunk machine screws and hex. nuts:** steel, zinc plated



### Countersunk screw

Part Number	Dimension	Material	Surface
860-0965.00-00512	M5 x 12	steel	DIN 965 zinc plated
860-0965.00-00516	M5 x 16	steel	DIN 965 zinc plated
860-0965.00-00520	M5 x 20	steel	DIN 965 zinc plated
860-0965.00-00525	M5 x 25	steel	DIN 965 zinc plated
860-0965.00-00530	M5 x 30	steel	DIN 965 zinc plated
860-0965.00-00540	M5 x 40	steel	DIN 965 zinc plated
860-0965.00-00612	M6 x 12	steel	DIN 965 zinc plated
860-0965.00-00616	M6 x 16	steel	DIN 965 zinc plated
860-0965.00-00620	M6 x 20	steel	DIN 965 zinc plated
860-0965.00-00625	M6 x 25	steel	DIN 965 zinc plated

### Hexagon nut

Part Number	Dimension	self-locking	Material	Surface	Minimum order quantity
860-0934.00-00005	M5		steel	DIN 934 8.8 zinc plated	200 pcs.
860-0934.00-00008	M8		steel	DIN 934 8.8 zinc plated	200 pcs.
860-0985.00-00005	M5	Yes	steel	DIN 985 8.8 zinc plated	200 pcs.

d = M5  
a = 1.6  
k = 2.5  
d<sub>1</sub> = 9.2

d = M6  
a = 2.0  
k = 3.0  
d<sub>1</sub> = 11.0

d = M8  
a = 2.5  
k = 4.0  
d<sub>1</sub> = 14.5

