



## 7-220 Hinge Pr01 200°



for nested door, stainless steel AISI 316

### Advantages

- Hinge for flush constructions.
- 200° Opening angle .
- RH or LH application.
- Very good for installation on narrow frame widths.

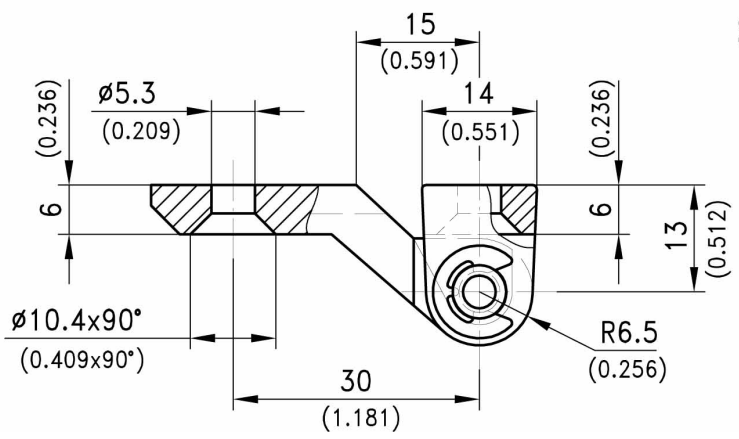
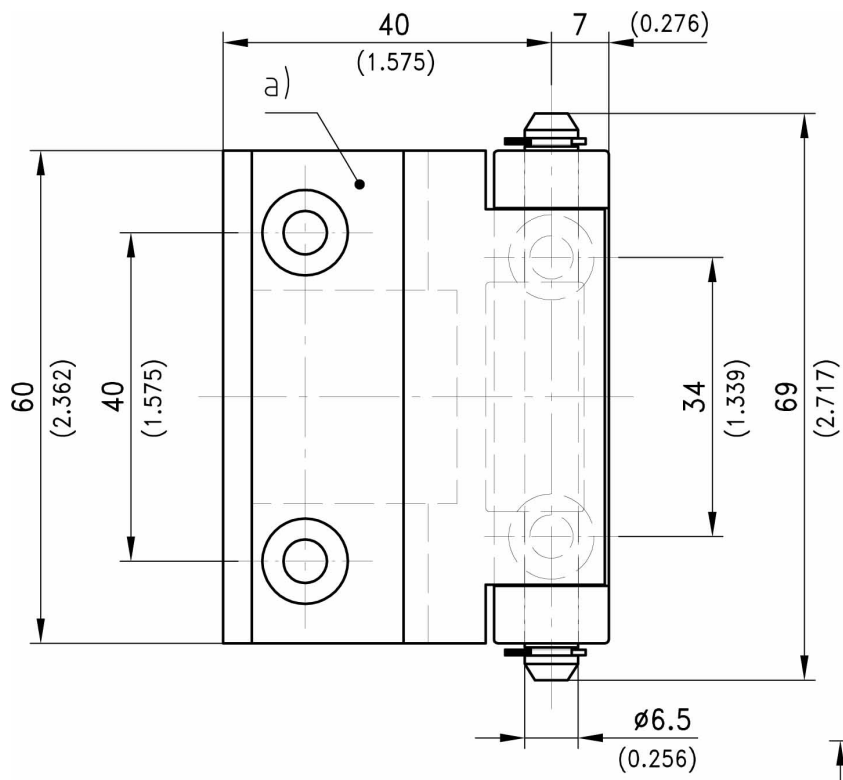
### Materials

- **Hinge parts:** stainless steel AISI 316
- **Washers:** stainless steel



## Hinge

| Part Number       | Width W | Height H | Material pin    | Pin length L | Installation type |
|-------------------|---------|----------|-----------------|--------------|-------------------|
| 217-9601.00-00000 | 40,0 mm | 60,0 mm  | stainless steel | 69,0 mm      | screw-on          |



Example of application

